



LabStandard

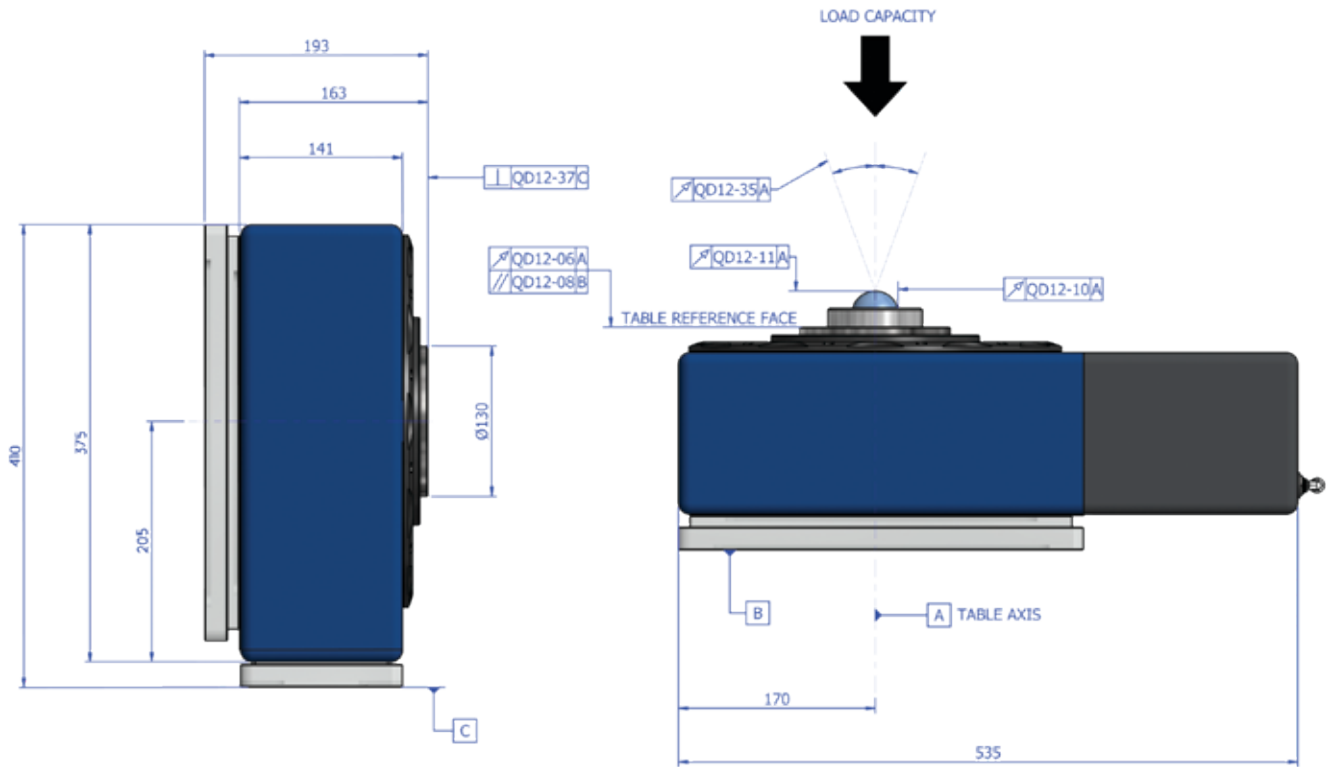
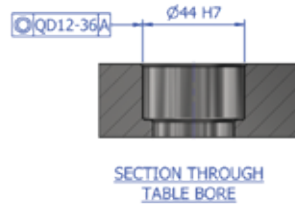
High Precision Angular Positioning, Calibration and Geometry Inspection

Ultra precise rotary tables intended for fine inspection, metrology and test applications.

Designed for horizontal and vertical applications with self-locking worm gearing and a high accuracy angular encoder ensures sensitivity and fine positioning for metrology and precision testing.

Measurement Capacity:

- Horizontal or vertical applications
- Sizes Ø250mm, Ø300mm, and Ø400mm
- Overall height 225mm (axis vertical)
- Centreline height 240mm (axis horizontal)
- Load capacities up to 1,000kgs
- Load moment up to 500Nm
- Powerful pneumatic clamp (optional)
- Angular accuracy 2 arc seconds
- Angular repeatability 0.5 arc seconds



LabStandard

Technical Data	QD	Units	LabStandard10	LabStandard5	LabStandard2	LabStandard+
Centre Line Height		mm		240		
Load Capacity		kgs		1000		
Maximum Polar Inertia		Kgm ²		40		
Maximum Tilt Moment		Nm		500		
Maximum rpm		rpm		4		
Spindle Rotation Error	12-06	mm		0.005		
Parallelism*	12-08	mm		0.006		
Angular Positioning Accuracy	12-09	Arc seconds	10	5	2	1
Angular Repeatability			+/-0.5		+/-0.2	
Resolution	12-56		0.2			
Clamp Shift (If Fitted as option)			2			
Radial Runout of Table Axis	12-10	mm	0.0005			
Axial Runout of Table Axis	12-11	mm	0.0003			
Coning of Table Axis	12-35	Arc seconds	+/-1		+/-0.5	
Concentricity of Centre Bore	12-36	mm	0.005		0.0025	
Squareness of Spindle Face*	12-37	mm	0.006		0.004	
Table Weight (Without Table top and Clamping Plate)		kgs	84			
Table Top Options		mm	Ø250, 300, 400			

*Requires Optional Clamping Plates