



LabStandardAIR

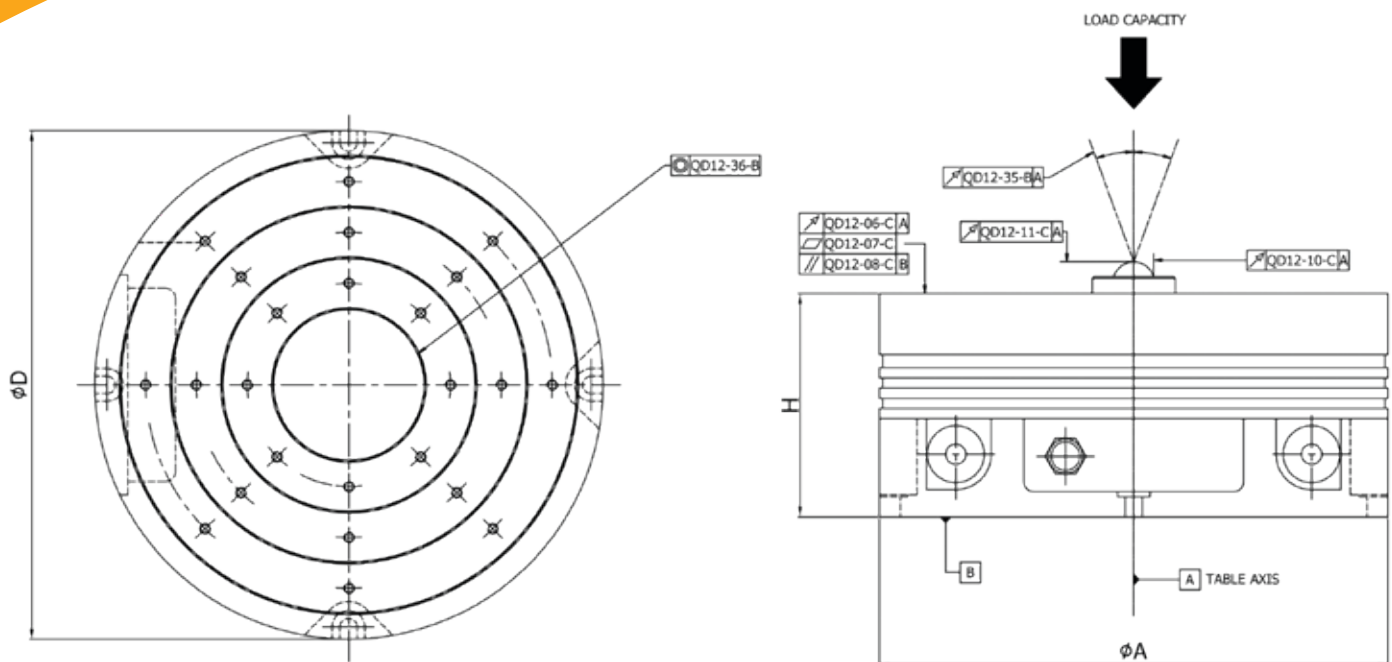
High Precision Angular Positioning, Calibration and Geometry Inspection

Ultra precise rotary tables intended for fine inspection, metrology and test applications.

The LabStandardAIR has been designed as a "Contact Free" system and eliminates features, which may detract from achieving the optimum rotational performance. The rotating elements are supported on super high precision, air lubricated, hydrostatic bearings and are not subject to disturbances associated with gear drives.

Measurement Capacity:

- Axia power driven axis
- Sizes Ø300mm and Ø500mm
- Load capacities up to 500kgs
- Zero backlash drive
- Angular accuracy 2 arc seconds
- Angular repeatability 0.5 arc seconds



LabStandardAIR

Technical Data	QD	Unit	Ø300	Ø500	Ø600	Ø800	Ø1000
Load Capacity		kg	470	450		600	
Angular Positioning Accuracy		Arc seconds	2 (optional 1, 5, 10)				
Angular Resolution (Options Available)	12-56	Arc seconds	0.09				
Angular Repeatability	12-57	Arc seconds	0.5				
Rotation Error of Table Top	12-06	mm	0.005		0.008		
Flatness of Table Top	12-07		0.010		0.015		
Parallelism of Table Top To Base	12-08		0.010		0.015		
Radial Runout of Table Axis	12-10	mm	0.00001				
Axial Runout of Table Axis	12-11		0.00001				
Coning of Table Axis	12-35	Arc Seconds	+/-0.25"				
		Dimensions					
		H	ØA	ØD		Weight	
Units			mm			kgs	
Ø300		165	320	300		175	
Ø500		220	500	500		215	
Ø600				600		315	
Ø800		250	800	800		385	
Ø1000				1000		450	
Flexible Tooling Interface	HSK, Lang, Gewefa (other options available on request)						