



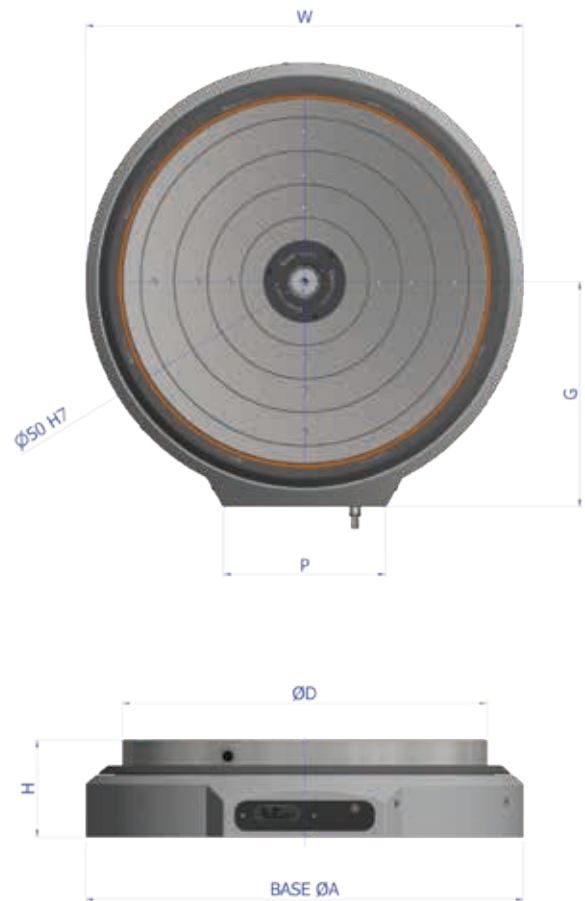
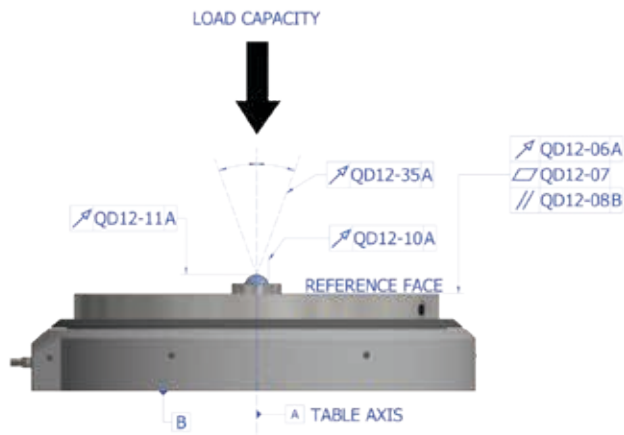
Geolnspec

Manual Spin Air Bearing Rotary Table for Optimal Circular Geometry Inspection

Inspect circular components in a shop floor environment whilst maintaining world class accuracies more commonly seen in the standards laboratory.

Options and Accessories

- Anti-vibration granite base
- Column units for precise positioning of your measuring devices
- Data collection software



GeolnSpec

Technical Data	QD	Units	GeolnSpec 600AB	GeolnSpec 800AB	GeolnSpec 1000AB				
Load Capacity		kgs	1500	2500	3600				
Maximum Tilt Moment		Nm	1300	3000	6000				
Radial Runout of Table Axis		mm	0.0001						
Axial Runout of Table Axis									
Coning of Table Axis	12-35	Arc seconds	+/-0.25						
Technical Data	QD	Units	GeolnSpec 600CB	GeolnSpec 800CB	GeolnSpec 1000CB				
Load Capacity		kgs	1500	2500	3600				
Maximum Tilt Moment		Nm	1300	3000	6000				
Radial Runout of Table Axis		mm	0.0005						
Axial Runout of Table Axis									
Coning of Table Axis	12-35	Arc seconds	+/-0.25						
Technical Data	QD	Units	Technical Data						
Rotation Error of Table Top	12-06	mm	0.005	0.008					
Flatness of Table Top	12-07								
Parallelism of Table Top To Base	12-08		0.0025						
Concentricity of Centre Bore	12-36								
Dimensions									
	ØA	ØD	G	H	h	L	P	W	Weight
Units	MM								kgs
GeolnSpec 600	680	600	370	160	100	730	270	720	320
GeolnSpec 800	880	800	470			930		920	550
GeolnSpec 1000	1080	1000	585	180	120	1145		1120	1100
Flexible Tooling Interface	HSK, Lang, Schunk, Gewefa (other options available on request)								