



LabStandardAIR

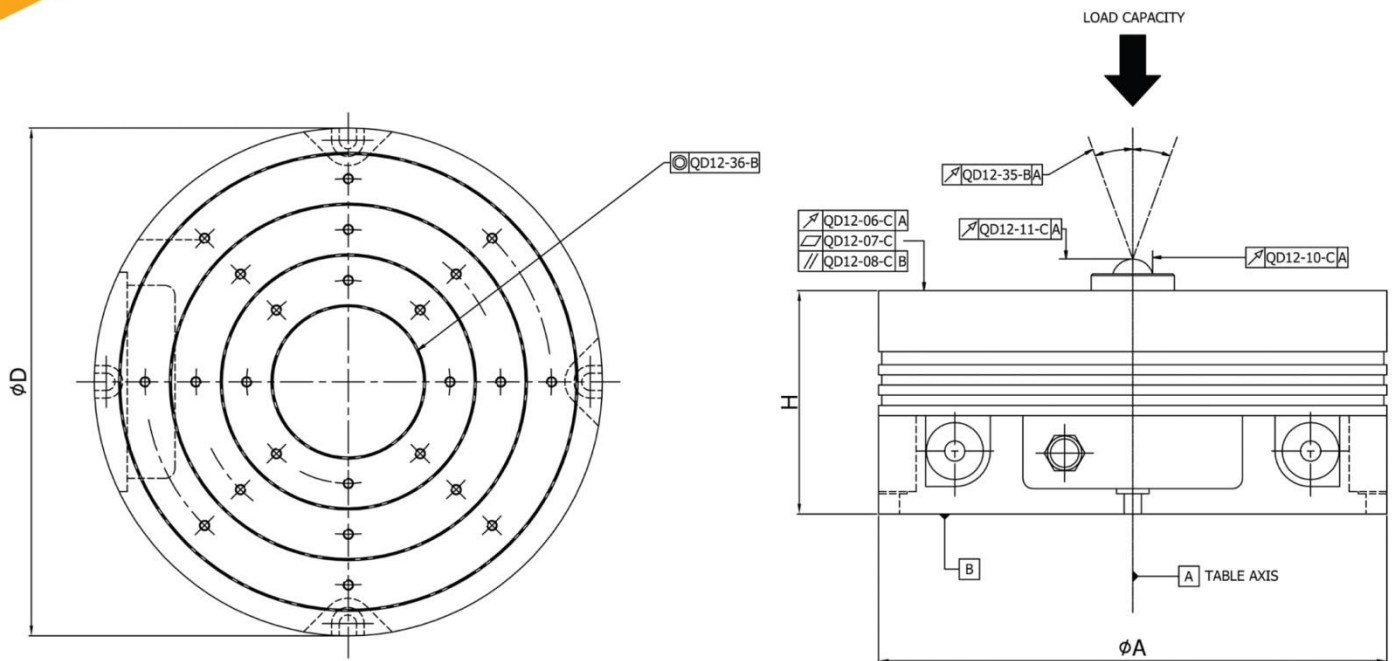
High Precision Angular Positioning, Calibration and Geometry Inspection

Ultra precise rotary tables intended for fine inspection, metrology and test applications.

The LabStandardAIR has been designed as a "Contact Free" system and eliminates features, which may detract from achieving the optimum rotational performance. The rotating elements are supported on super high precision, air lubricated, hydrostatic bearings and are not subject to disturbances associated with gear drives.

Measurement Capacity:

- Axia power driven axis
- Sizes Ø300mm and Ø500mm
- Load capacities up to 500kgs
- Zero backlash drive
- Angular accuracy 2 arc seconds
- Angular repeatability 0.5 arc seconds



LabStandardAIR

LabStandardAIR							
Technical Data	QD	Unit	Ø300	Ø500	Ø600	Ø800	Ø1000
Load Capacity		kg	470	450		600	
Angular Positioning Accuracy		Arc seconds	2 (optional 1, 5, 10)				
Angular Resolution (Options Available)	12-56	Arc seconds	0.09				
Angular Repeatability	12-57	Arc seconds	0.5				
Rotation Error of Table Top	12-06	mm	0.005		0.008		
Flatness of Table Top	12-07		0.010		0.015		
Parallelism of Table Top To Base	12-08		0.010		0.015		
Radial Runout of Table Axis	12-10	mm	0.0001				
Axial Runout of Table Axis	12-11		0.0001				
Coning of Table Axis	12-35	Arc Seconds	+/-0.25"				
			Dimensions				
			H	ØA	ØD	Weight	
Units				mm		kgs	
Ø300	165		320		300	175	
Ø500	220		500		500	215	
Ø600					600	315	
Ø800	250		800		800	385	
Ø1000					1000	450	
Flexible Tooling Interface	HSK, Lang, Gewefa (other options available on request)						