

# GeoSpin

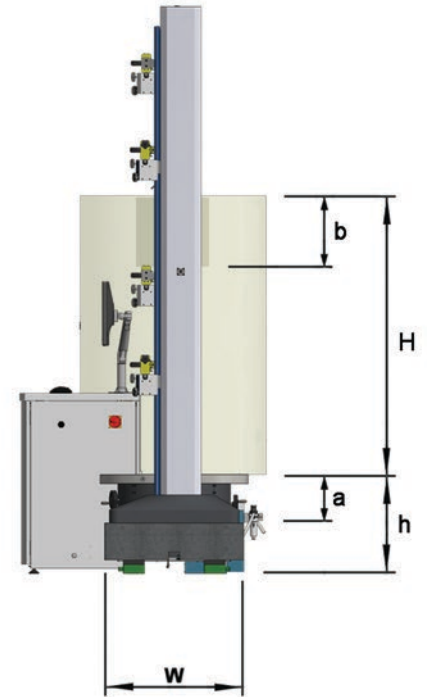
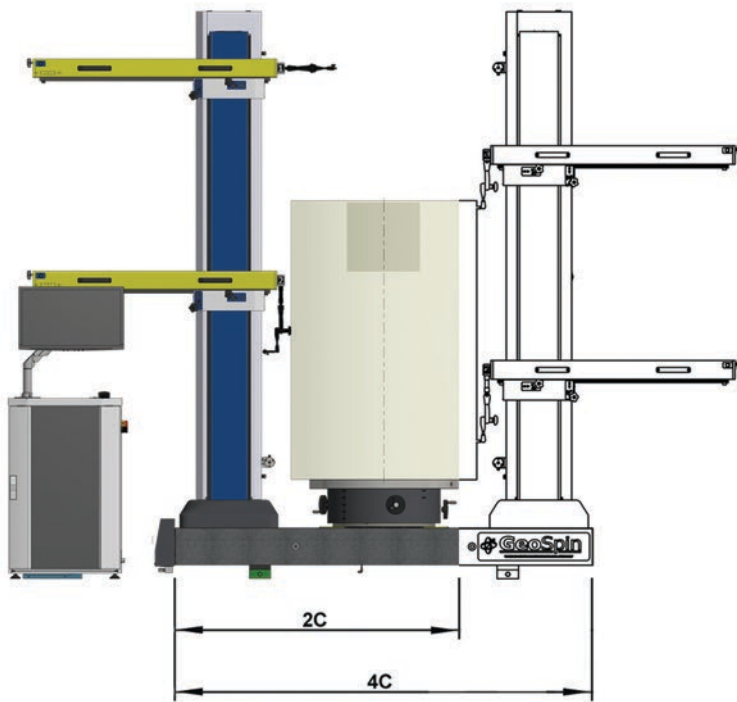
## Integrated Turbine Rotor Measurement and Assembly Platforms

Improve productivity and achieve higher levels of quality by reducing inspection times and the need for costly teardowns due to inefficient rotor assembly.

GeoSpin has been specifically developed for the measurement and assembly of smaller engines in the aerospace industry, such as short-haul and business jets.

### Measurement Capacity:

- Maximum measurement volume up to  $\text{Ø}1,600\text{mm} \times 2,400\text{mm}$
- Maximum load capacity up to 1,500kgs
- Manual spin (optional power spin)



## GeoSpin

GeoSpin												
Type		D500			D800			D800	D1000	D1200	D1500	
Table Diameter	d	500			800			800	1000	1200	1500	
Maximum Component Diameter	D	800	1000	1300	800	1000	1300	1000	1200	1500	1800	
Maximum Component Height	H	900 / 1500 / 2100						2020 / 2860				
	2C (2 Channel)	mm	1300	1500	1700	1300	1500	1650	1500	1700	1850	2000
	4C (4 Channel)		2050	2250	2550	2050	2250	2550	2300	2500	2800	3100
Dimensions	W	700						900				
	h	615						665				
	a	260						340				
	b	500										
Load Capacity (Including Fixturing)	kgs	500						1500				
Drive Type		Manual Spin										
Encoder Count (Data Points Per Rev)		PPR 3,600										
Centring Range	mm	+/-10										
Levelling Range	Deg	+/-1										
Measurement Channels		2 Channel (2C) or 4 Channel (4C)										
Bearing Type		Air Bearing										
Radial Runout of Axis	µm	0.1										
Axial Runout of Axis												
Coning of Axis	Arc Sec.	+/-0.25										
Runout (Height)	mm/ meter	0.0024										